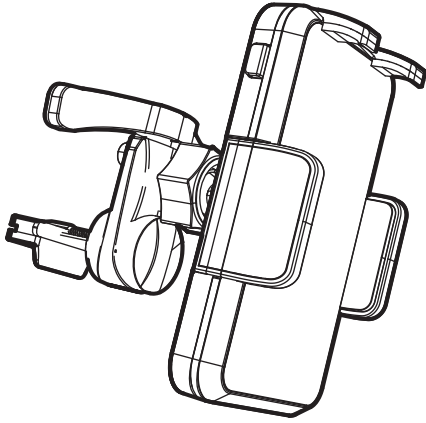


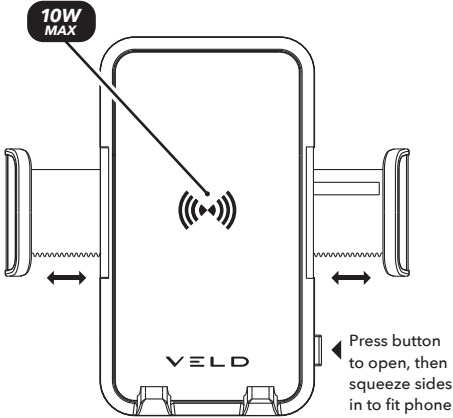
VMC102B



FAST
Wireless Car Charger

V E L D

Qi Charging Point
(single device)



Connect to an in-car charger



For 7.5 - 10W fast charging use a **Quick Charge 3.0** charger such as **VELD VC30CB** or **VC48DG**

Input: DC 5V⇒2.0A, 9V⇒1.8A Output: 5W / 7.5W / 10W

VELD support@veldpower.com

AVF Group Ltd, Hortonwood 30, Telford, TF1 7YE

V E L D

2 Year Guarantee
This product is guaranteed for two years from the date of purchase. This does not affect your statutory rights. Proof of purchase required, terms and conditions apply. For full information visit veldpower.com.



Full documentation is available on request.

EU: EN62368-1, EN301489-3, EN300330, EN50581

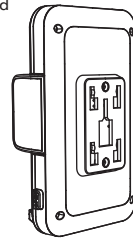
Declaration of Conformity
VELD hereby declares this product is in compliance with all essential requirements and relevant directives.



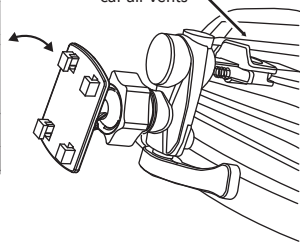
Protecting Our Environment
This product should not be disposed of with your household waste. At the end of its working life please take to your local Recycling Centre. If you are unsure, check with your Local Authority or original retailer for recycling advice.



Wireless Pad 'clicks' onto vent mount



Easy clip on / off car air vents



FAST CHARGING



- 7.5 - 10W charging requires Quick Charge 3.0 charger such as **VELD VC30CB** or **VC48DG**

SAFETY PRECAUTIONS

- Do not place metal items (such as coins) on the charging pad.
- Do not place magnetic strips (such as bank cards) on charging pad.
- Please keep away from implanted medical devices (pacemakers, implanted cochlear etc.).
- Do not expose to extreme temperatures.
- Do not expose to liquids, rain, snow or humidity.
- Do not disassemble the product.
- Do not connect to damaged or unsafe power outlets.
- Avoid dropping or damaging the product.
- Keep out of reach of children.